

Hall Ticket Number:

--	--	--	--	--	--	--	--	--	--	--	--	--	--	--	--	--	--	--	--

Code No. : 13546 S

VASAVI COLLEGE OF ENGINEERING (AUTONOMOUS), HYDERABAD

Accredited by NAAC with A++ Grade

B.E. (Mech. Engg.) III-Semester Supplementary Examinations, July-2022

Machine Drawing

Time: 3 hours

Max. Marks: 60

Note: Answer all questions from Part-A and Part-B

Part-A (10 × 2 = 20 Marks)

Q. No.	Stem of the question	M	L	CO	PO
1.	Draw the conventions of Centre line and section line.	2	1	1	1
2.	Discuss the assumptions made in orthographic projections?	2	2	1	1
3.	Distinguish right hand and left-hand thread with example.	2	2	2	1
4.	Discuss about caulking and fullering in riveted joints?	2	1	2	1
5.	Explain woodruff key, and where it is used?	2	2	3	1
6.	What is shaft coupling? Sketch split muff coupling.	2	1	3	1
7.	List all the sub-assemblies in a steam engine.	2	1	4	1
8.	Name the important parts in a steam engine/	2	1	4	1
9.	Distinguish Outline drawings, and exploded drawings in assembly.	2	2	5	1
10.	List all the details to be included in the assembly drawings.	2	1	5	1

Contd... 2

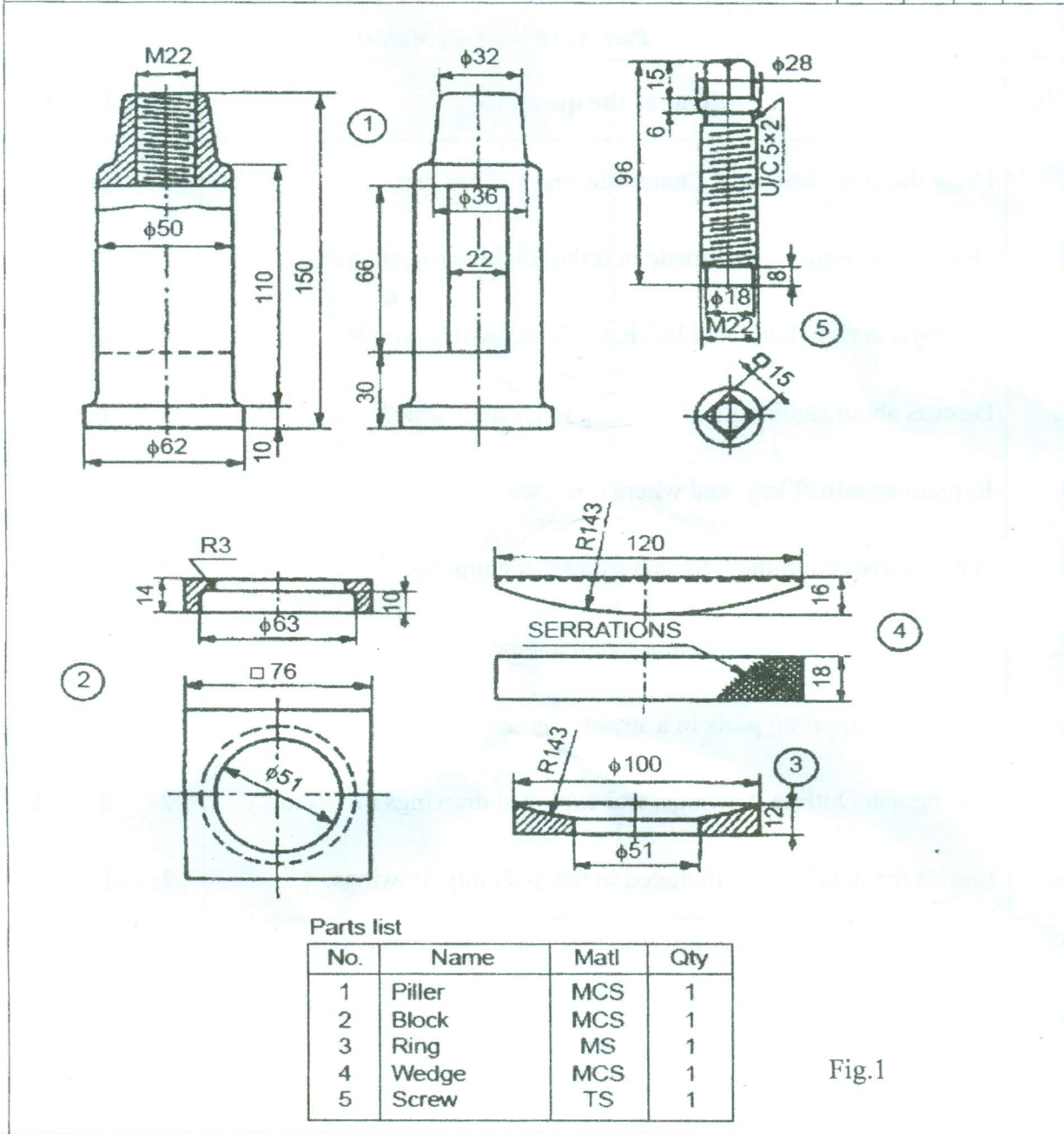
Part-B (40 Marks)

11. Assemble the parts of a lathe single tool post, shown in Fig. 1 and draw

i) Half sectional view from the front and

ii) View from the top.

30	3	5	2
10	1	5	2



M : Marks; L: Bloom's Taxonomy Level; CO; Course Outcome; PO: Programme Outcome

i)	Blooms Taxonomy Level – 1	20%
ii)	Blooms Taxonomy Level – 2	30%
iii)	Blooms Taxonomy Level – 3 & 4	50%

Handwritten signature: III Rd Sem